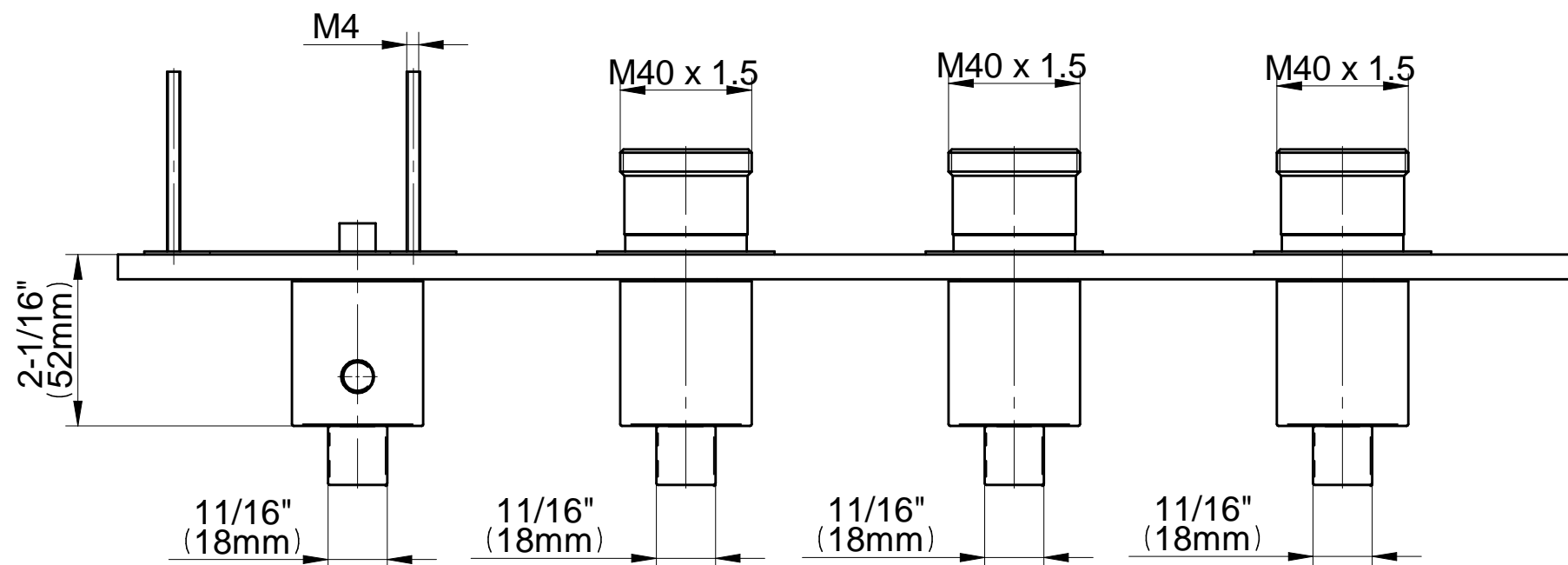
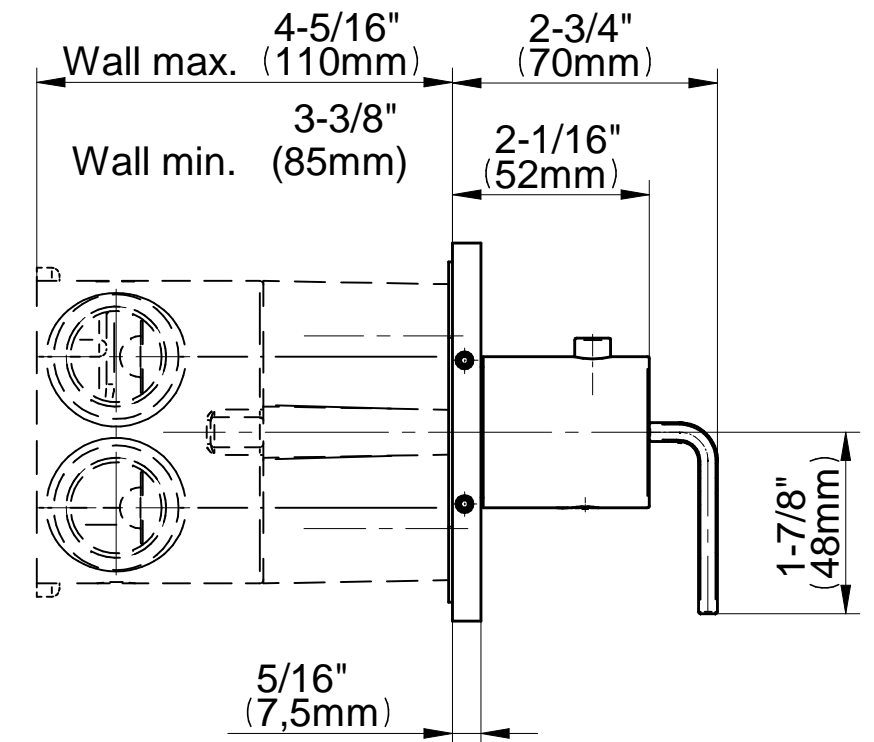
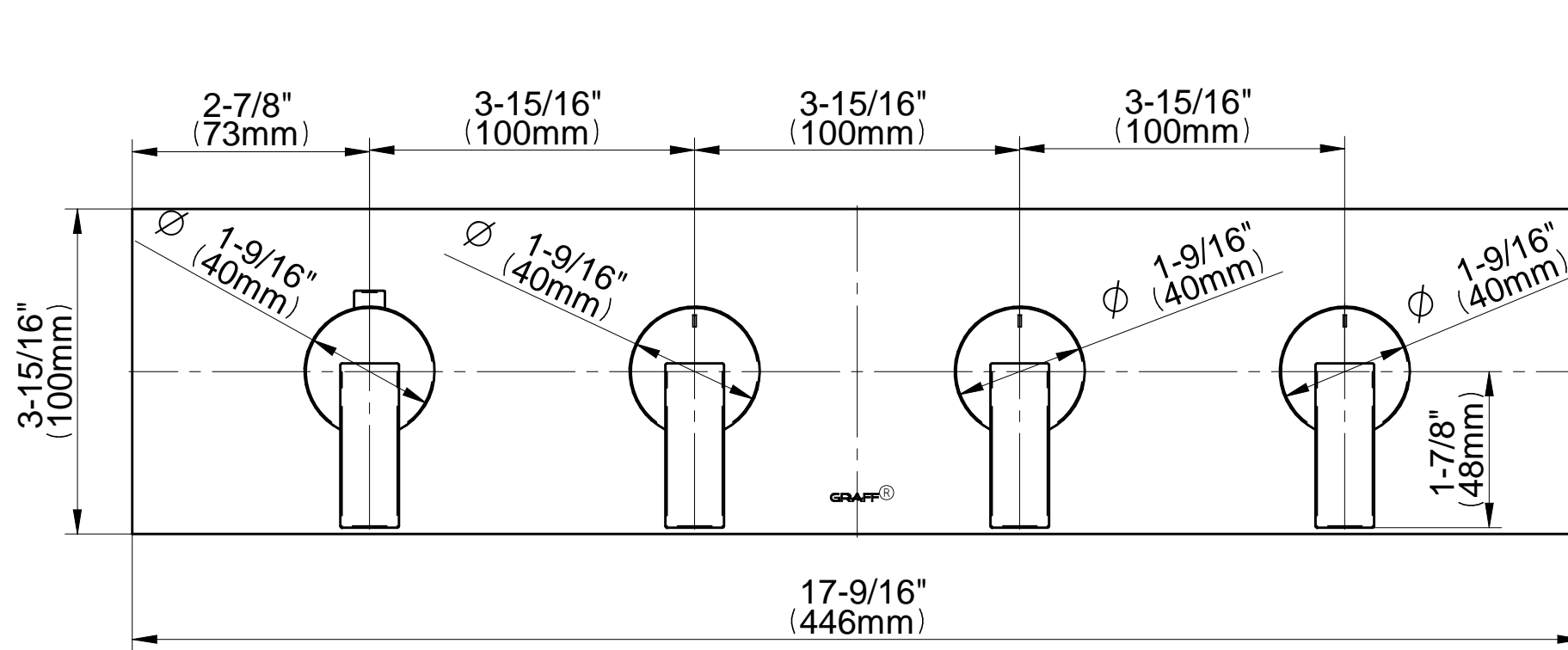


G-8059H-LM40E0-T

IMMERSION Series



GRAFF[®]
CUTTING EDGE DESIGN